

Data Sheet

Treon Gateway 2 in Protective Enclosure



Treon Gateway 2 in Protective Enclosure collects, processes, and transmits data from sensors to any cloud backend over a wide range of wired and wireless connectivity.

Features

- Enclosure with IP66/IP67 rating for rough conditions.
- Available with Wirepas or Bluetooth connectivity.
- Supports +8dBm transmit power for Wirepas communication protocol.
- Wide global cellular coverage due to custom designed wideband cellular antenna.
- Real time clock even when the gateway is powered off enabled by the battery backup.

Common Specifications

Dimensions		Weight	Mounting
180 x 130 x 81mm (excluding cable sealing clamps)		632g without power cord, 867g with EU power cord	Wall mounting with wall mounting lugs
Materials			
Cover material	Polycarbonate		
Gasket	TPE		
Environment			
Operating temperature	-20°C to +50°C		
Storage temperature	-40°C to +85°C		
Humidity	20 to 90%, noncondensing pressure equalizer		
Ratings			
IP rating	IP66/IP67 enclosure IP44 integrated power cord (length 1.5m)*		
Plug	EURO type F ungrounded plug*		
Impact Resistance	IK08 (EN 62262)		

* IP rating may vary depending on plug variant

Installation

How to install [Treon Gateway in Protective Enclosure](#), [learning path](#).

Technical Specifications

Power supply

Voltage range 85 to 264 VAC
 Frequency range 47 to 440 Hz
 Power consumption 30VA max

Hardware

ARM Cortex-A8 1GHz Processor
 1 GB DDR3L RAM
 16 GB eMMC Storage

Connectivity

USB A Host Port
 Ethernet
 2G, LTE-M
 Wi-Fi, 2.4GHz 802.11b/g/n
 Bluetooth 5, Bluetooth LE
 Wirepas 2.4GHz

Networking

Firewall (iptables)
 Linux TCP/IP stack
 TLS/SSL
 MQTT
 BlueZ
 Linux Bluetooth stack
 Wirepas Connectivity

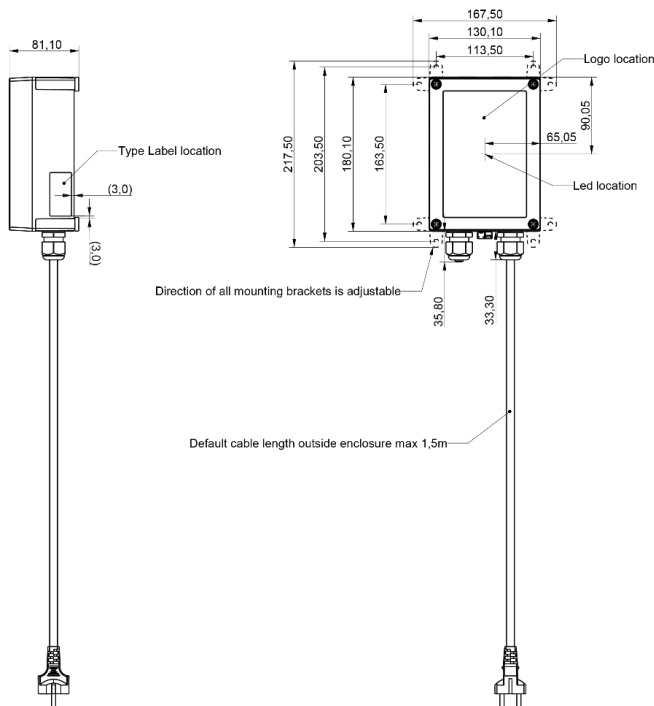
Software, Development Environment

ARM-based Linux OS (Yocto)
 Pre-loaded Python and Node.js
 SDK, Native GCC

Cloud support

Microsoft Azure IoT EDGE certified
 Amazon Web Services
 Easy integration to any cloud

Technical Drawing



Certifications

Extensive certifications leaflet available at: [Treon Store](#)

Country	Model 1231*
Europe	Yes
Japan	Yes
United States	Yes

* Support for cellular connectivity may vary depending on region and operator.

HS code: 8517699000

Plug types

By default, our products are shipped with the European standard cables. On request the Treon Gateway 2 in Protective Enclosure can be delivered with the following available country specific cables.

Plug type	Country/territory
A	North America
C	Brazil
F	Europe
G	United Kingdom
I	Australia
Cable not preassembled	Global, input of main power cable needs to be done during installation.

For specific plugs contact [Sales](#).

Contact

Let's join forces!

Treon Oy

Visiokatu 3, 33720 Tampere, Finland

sales@treon.fi

www.treon.fi



Information in this document is subject to change without prior notice. The hardware and software designations or brand names used in this document are in most cases trademarks or registered trademarks of their respective companies and are thus subject to law.